



Thermocouple Datasheet
Tag Number: 1019409

Document Number: AD00151
Revision: 00

Name: Fabricated RTD with Head Connection
Part No: RF1-3AH-8D45S6-2ZZ-ZZZ

1 Basic Type

Code	Description
RF1	Fabricated RTD with Head

2 No of Sensors

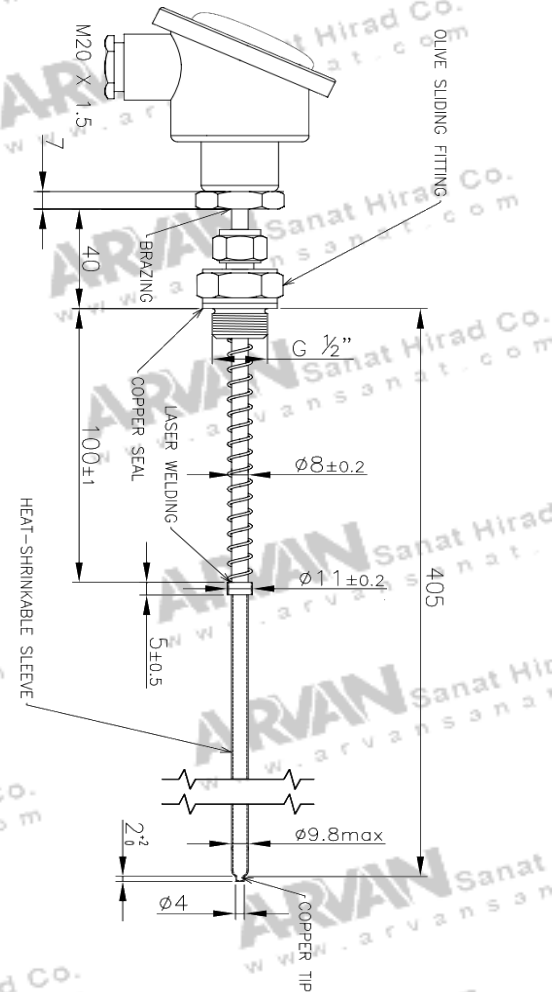
Code	Description
3	Triple

3 Sensor

Code	Type	Process Temp.
A	PT100, Class A	-50 to +550 °C

4 Terminal Head

Code	Type	IP
H	BUZ-H	65
	Ambient Temp.	
-20 to +85 °C		





Thermocouple Datasheet
Tag Number: 1019409

Document Number: AD00151
Revision: 00

5 Measuring Probe

Code	Inserting Element			Thermowell Neck		
	Probe Diameter	Probe Length(mm)	Material	Diameter(mm)	Length(mm)	Material
8D45S6	8	445	SS316	-	-	-
	Inner Tube			Support		
	Diameter(mm)	Length(mm)	Material	Diameter(mm)	Length(mm)	Material
	-	-	-	-	-	-

6 Process Connection

Code	Connection	Description	Size	Description
2	Movable Thread	G male	1/2"	Olive Sliding Fitting

7 Wire and Cable Configuration

Code	Wire Config.	Number of cores (mm ²)	Cable Length(m)	Cable Material
ZZ	3X3-Wires	-	0	No Cable

8 Options

Code	Transmitter	Connector	Request
ZZZ	-	-	Spring/ Heat Shrinkable Sleeve